

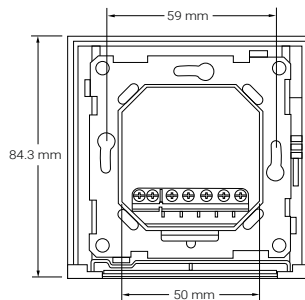
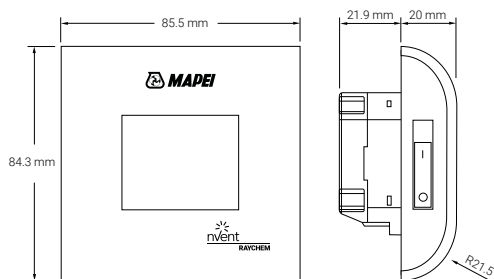
MAPEHEAT THERMO CONNECT

Installation Guide

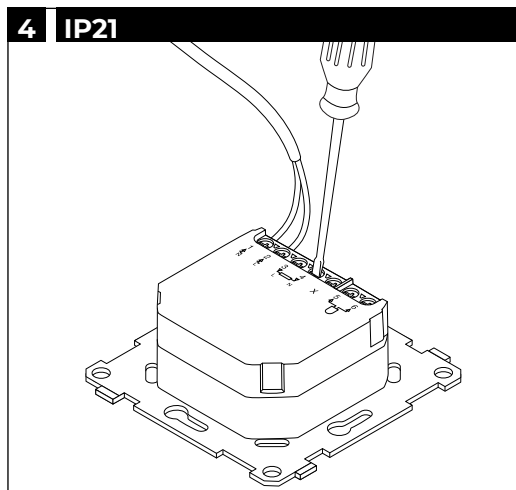
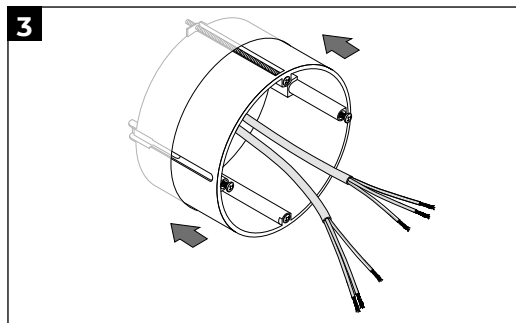
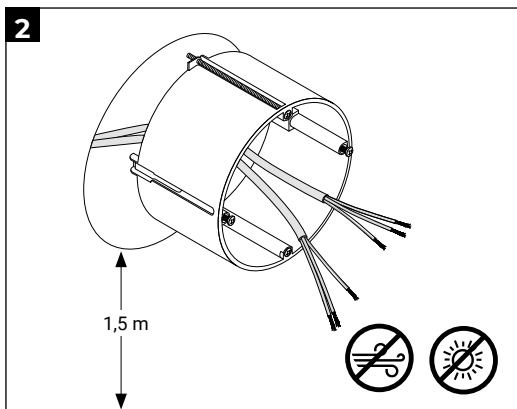
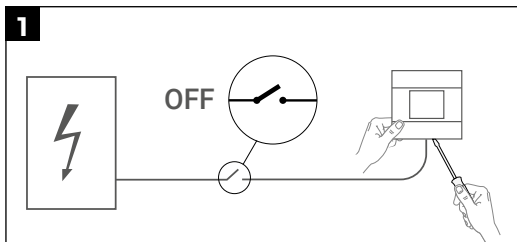
Table of content

Dimensions	3
Installation of the thermostat	4
Description	9
Disassembly of the Thermostat	10
Using the Thermostat	13
Technical Specification	14
Certifications	16
Warning	16

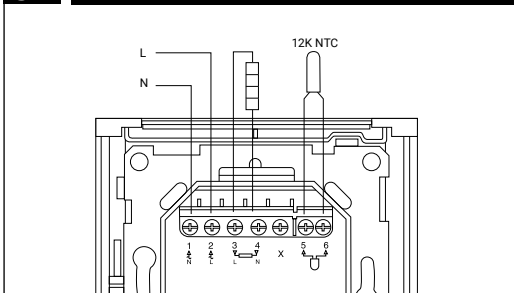
DIMENSIONS



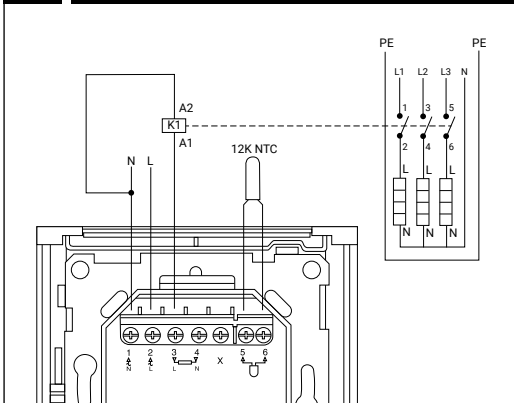
INSTALLATION OF THE THERMOSTAT



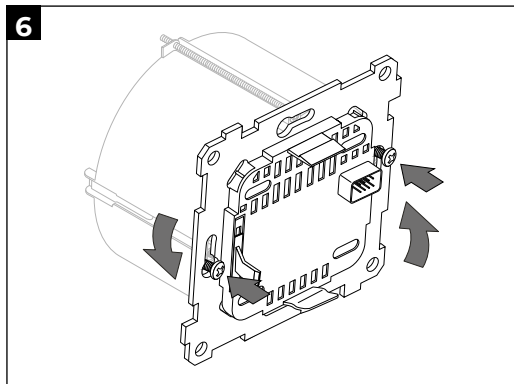
5A 1 x -□□□- = MAX 13A



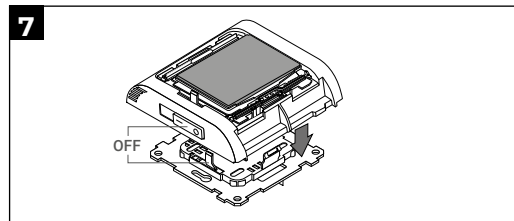
5B >1 x -□□□- =



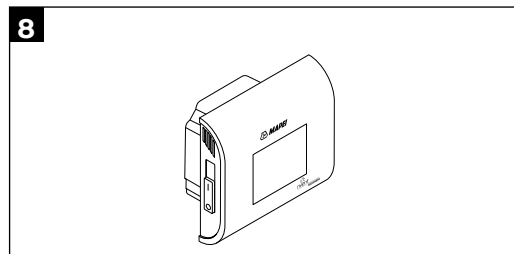
6

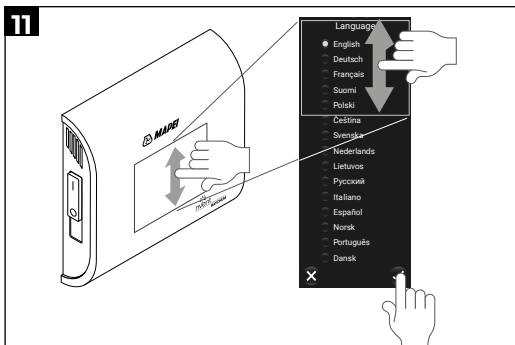
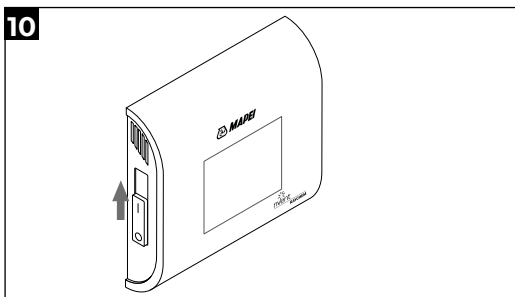
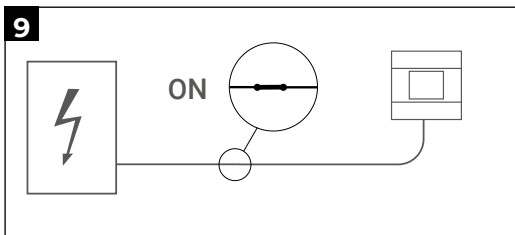


7



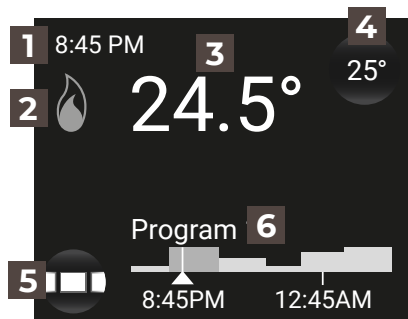
8





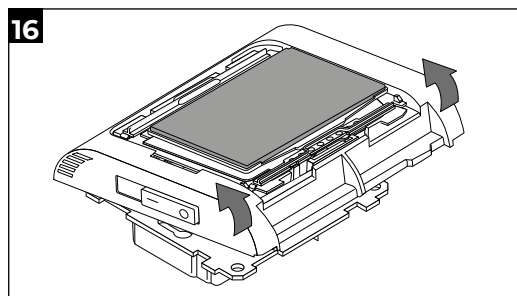
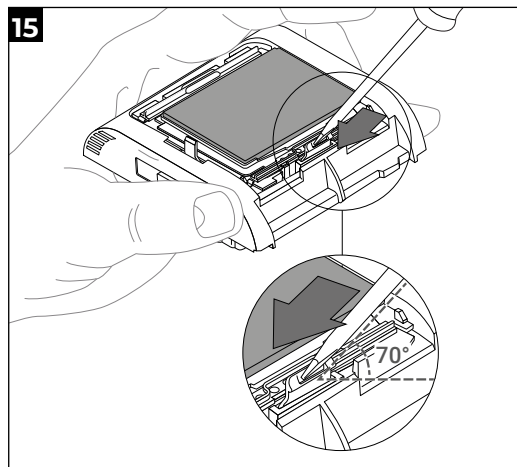
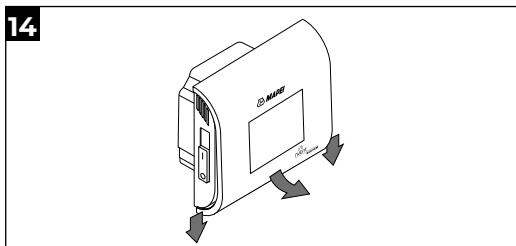
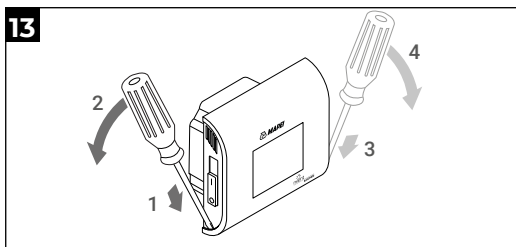
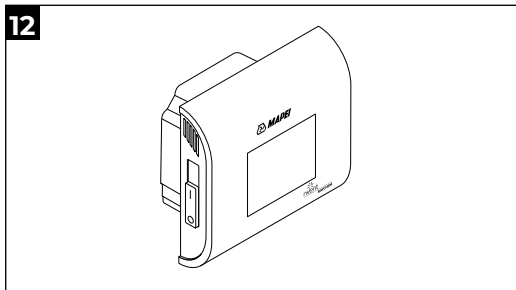
DESCRIPTION

The **Mapeheat Thermo Connect** is a programmable touchscreen thermostat for electric floor heating that can be controlled with the SENZ-WIFI app on a smartphone or a tablet pc (iOS or Android). The **Mapeheat Thermo Connect** can also be controlled by voice using Amazon Alexa or Google Assistant compatible smart speakers.

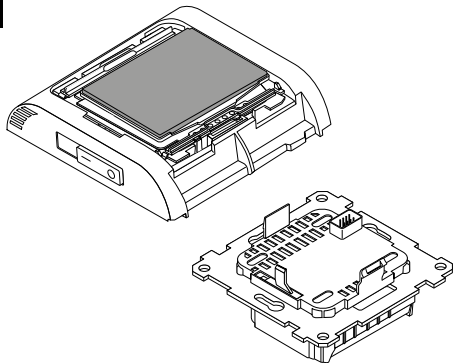


- 1** Time
- 2** Heating symbol: thermostat is heating
- 3** Actual temperature
- 4** Set temperature button
- 5** Menu button
- 6** Visualization of the schedule and working mode

DISASSEMBLY OF THE THERMOSTAT



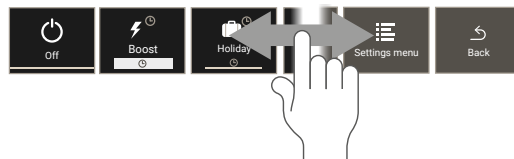
17



USING THE THERMOSTAT

Touch **Set temperature button** to temporarily override the current programme.






Touch the **Menu button** to enter the Main menu.



In the Main menu choose one of the working modes or enter the Settings Menu

Working modes

Symbol Working mode Description

	Off	Turn off the thermostat
	Boost	Adaptable temporary override of the desired temperature
	Holiday	Schedule for a holiday
	Program 1 to 3	Pre-programmed and adaptable economic schedules
	Constant	1 constant temperature

For more information on the use of the thermostat and the setup of the voice control see mapei.co.uk/mapeheat

TECHNICAL SPECIFICATION

Purpose of control:	Electronic thermostat for electric floor heating
Method of mounting:	Flush mounting
Supply voltage:	230VAC +/- 10%, 50Hz
Main power switch:	2-pole
Relay output:	230V, max. 13A
Protection class:	IP21
Terminals:	2,5 mm ² screw cage clamp
Terminal wire size:	2,5 mm ²
Floor sensor with 3m cable:	12k at +25°C +/- 0,75°C (no:38165)
Maximum length of floor sensor cable:	100 m, 2 x 1,5 mm ² (230VAC cable)
Control modes:	Floor sensor (active when floor sensor installed)
	Room sensor with floor limiter (active when floor sensor installed)
	Room sensor (active when no floor sensor installed)
	No sensor % regulator with cycles of 20 minutes (active when no floor sensor installed)
Temperature regulation method:	PWM (pulse width modulation) with PI control loop
Type of action:	Type 1.B.
Control pollution degree:	2
Software class:	A
Overvoltage category:	III

Rated impulse voltage:	4kV
Ball pressure temperature:	+125°C
SELV limits realized:	24V

Note "The protection against electric shock must be guaranteed by appropriate mounting. The requirements of Class II are fulfilled after appropriate mounting."

CERTIFICATIONS



WARNING

This appliance can be used by children aged from 8 years and above and persons with reduced physical, sensory or mental capabilities or lack of experience and knowledge if they have been given supervision or instruction concerning use of the appliance in a safe way and understand the hazards involved. Children shall not play with the appliance. Cleaning and user maintenance shall not be made by children without supervision.

TECHNOLOGY FROM



521290015 / 67891 | C.P. MK64-83730 (UK) 03/2022

MAPEI WORLD LONDON CITY

6 Great Sutton Street
Clerkenwell
London
EC1V 0BX
020 3302 9610
clerkenwell@mapei.co.uk

MAPEI UK LTD

Mapei House
Steel Park Road
Halesowen
West Midlands. B62 8HD
0121 508 6970
info@mapei.co.uk



0121 508 6970 | mapei.co.uk

