

Uponor product specification

Uponor product range: Uponor Vario S Manifold (FM)

Uponor product code(s): 1086538 – 1086548, 1088864 - 1088867

Product specification:

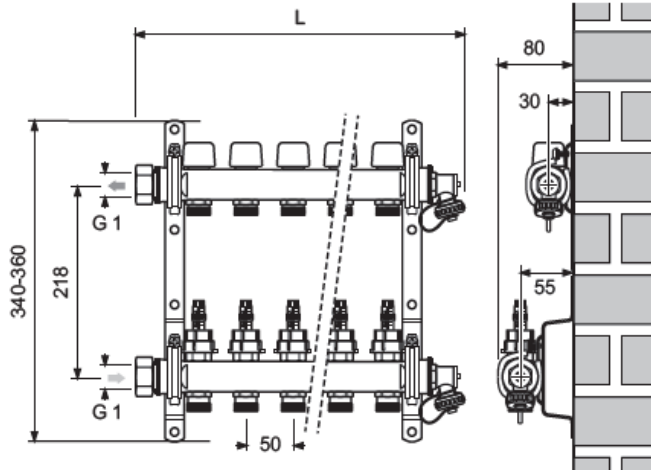
Main body:	Pressed Stainless Steel
Main body thread size:	1" BSP flat seal female nut
Outlet thread size:	3/4" Eurocone thread
Max flow rate through flowmeter :	1.1 m ³ /h
Max flowrate through manifold:	3.6 m ³ /h
Max temperature:	60°C
Max operating pressure:	10 Bar
Max test pressure:	10 Bar ≤30°C Max 24hrs
Ports	2 – 16 ports



Application:

The Uponor Vario S Manifold is specifically designed for use of Underfloor heating applications. Its clear flowmeters allow for easy setting of the flowrates for the manifold, they come with a thumb wheel adjust and a locking ring to prevent tampering. Return valve pins come complete with blanking caps for shutting down of loops, this can be automatically driven by the use of thermal actuators. Each manifold comes complete with a fill and drain point at the end of the manifold for easy filling, 1" Ball valves can be fitted at the end of the manifold for complete manifold separation.

Dimensions:



Item Code	Number of ports	Length (mm)
1086538	2	210
1086539	3	260
1086540	4	310
1086541	5	360
1086542	6	410
1086543	7	460
1086544	8	510
1086545	9	560
1086546	10	610
1086547	11	660
1086548	12	710
1088864	13	760
1088865	14	810
1088866	15	860
1088867	16	910