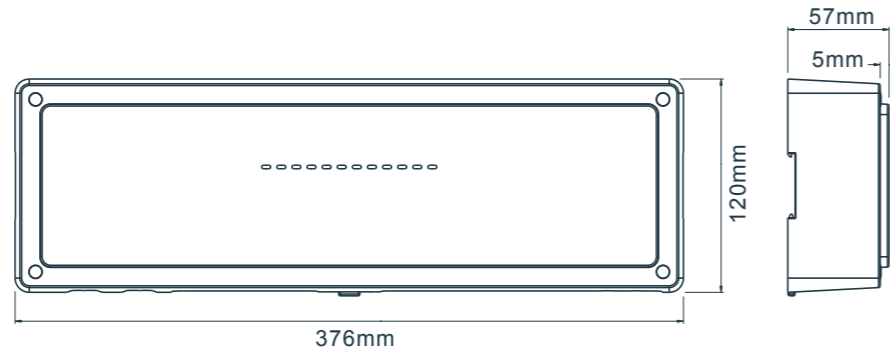


SPECIFICATION

Power source: 150 - 250VAC 50/60Hz
 Imax current: 10A
 Load current output: 250VAC 8(5)A
 Operation temperature: 0°C - 50°C, 0 - 80%RH
 Storage temperature: -10°C - 60°C, 0 - 90%RH
 Dimensions: 376mm x 120mm x 57mm



FEATURES

Each wiring centre can control a maximum of 8 rooms / zones.
 The wiring centre contains outputs for the switching of thermal actuators, boilers, pumps and zone valves.
 Indicator lights show the status of the outputs.

DIP SWITCH SET UP

In order for the wiring centre to be able to control UFH and radiators, there is a need to turn off the UFH pump for a zone when that zone is to be used for radiators.

Example:

When fitting a zone for radiators or a towel rail then the Dip Switch for that zone should be switched to OFF.
 When the zone switch is in the ON position the UFH pump will run when that zone is calling for heat along with the boiler.

When it is in the OFF position then the UFH pump will not run but the boiler will fire.

Note:

Zone valves controlled by the actuator connections require only the live, neutral to be connected the corresponding zone.

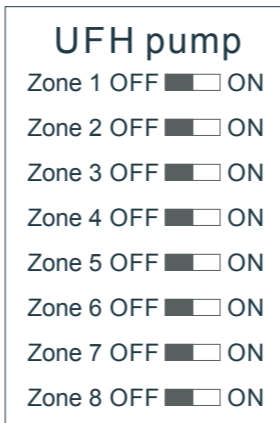
There are two other function switches:

Pump & Boiler delay:

This gives a three minute delay to allow actuators to open before the boiler fires.

Pump Only delay:

Delays only the UFH pump from firing for three minutes.



LED DISPLAY



- 1-8 channels signal indicator
- UFH signal indicator: when the UFH pump is on, the indicator is illuminated.
- Boiler signal indicator: when the boiler is on, the indicator is illuminated.
- Hot water heating signal indicator: when the hot water heating is on, the indicator is illuminated.
- Power indicator: when powered on, the indicator is illuminated.

IMPORTANT SAFETY INFORMATION

Always turn off the power at the main power source by unscrewing the fuse or switching the circuit breaker to the off position before installing, removing, cleaning, or servicing this wiring centre.
 Read all of the information in this manual before installing this wiring centre.
 Only a professional contractor should install this wiring centre.
 All wiring must conform to local and national building and electrical codes and regulations.
 If system is not operating properly, check the wiring is correct and replace the fuse if necessary.
 Use this wiring centre only as described in this manual.

MOTORISED VALVES, PUMP, HW CYLINDER THERMOSTAT CONNECTIONS

HW Cylinder Thermostat (Optional):

Used to control the hot water temperature.

HW Motorised Valve (Optional):

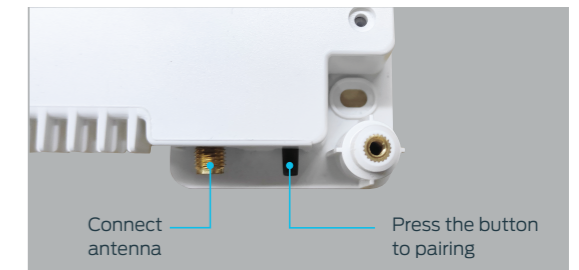
Used if timed hot water is required.

Overheat Thermostat (Optional):

Used for connecting a pipe thermostat to prevent over temperature water damaging sensitive floors. Remove the link and connect the pipe thermostat so it is Normally Closed. The pipe stat will open if overheating occurs and the UFH pump will stop running.

UFH Motorised Valve (Optional):

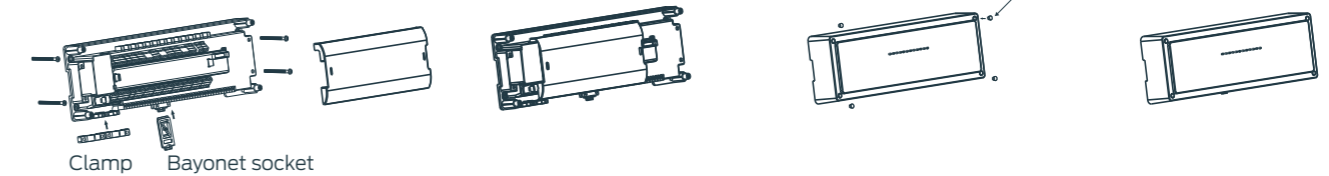
If a UFH motorised valve is fitted and connected to the terminal for the UFH motorised valve, if then connecting the cylinder thermostat directly to the timer then a link needs to be fitted between IN and OUT on the HW Cylinder thermostat connection.



Fuse holder
 Pull out to replace fuse if required (5 x 20mm, 250V 10A)

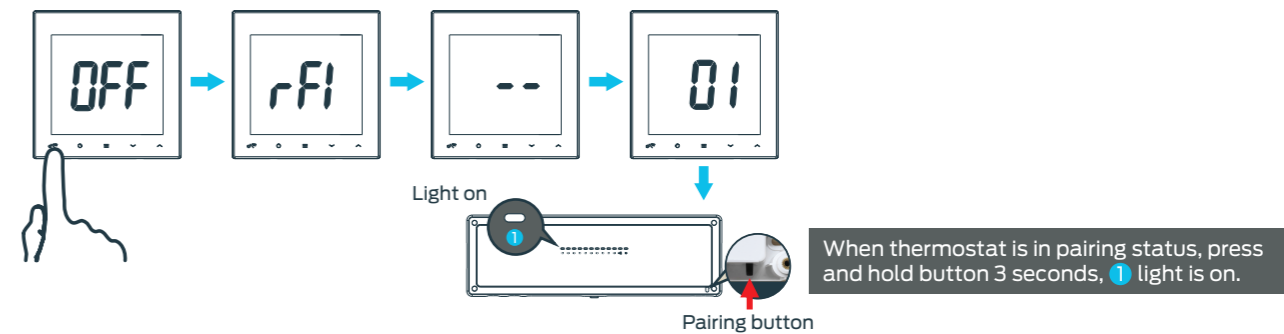


INSTALLATION



- (1) Fasten the mounting base plate with mounting screws. And install the terminal cover.
- (2) 1st fix complete
- (3) Fit cover with screws provided and press in the screw covers.
- (4) Installation complete

SETTING STATS AFTER INITIAL POWER UP



Pairing – connecting the thermostat to the wiring centre

1. With the thermostat power off, press and hold the on/off button for 4 seconds to enter pairing mode (display should show "rFl").
2. Press the on/off button again to send a signal to the wiring centre (display should show "--").
3. On the Wiring Centre, press and hold the pairing button for 3 seconds to enter pairing mode. The pairing button is found under the right hand corner of the wiring centre, immediately to the right of the antenna port.
4. Use the Wiring Centre pairing button to select the desired zone, indicated by the LED
5. Leave the wiring centre for 3 seconds. The LED should flash to indicate it is pairing to the thermostat
6. Once paired, the wiring centre LED will move to the next available zone. Press and hold the pairing button once again to exit the pairing mode
7. The thermostat is now connected to the chosen zone